

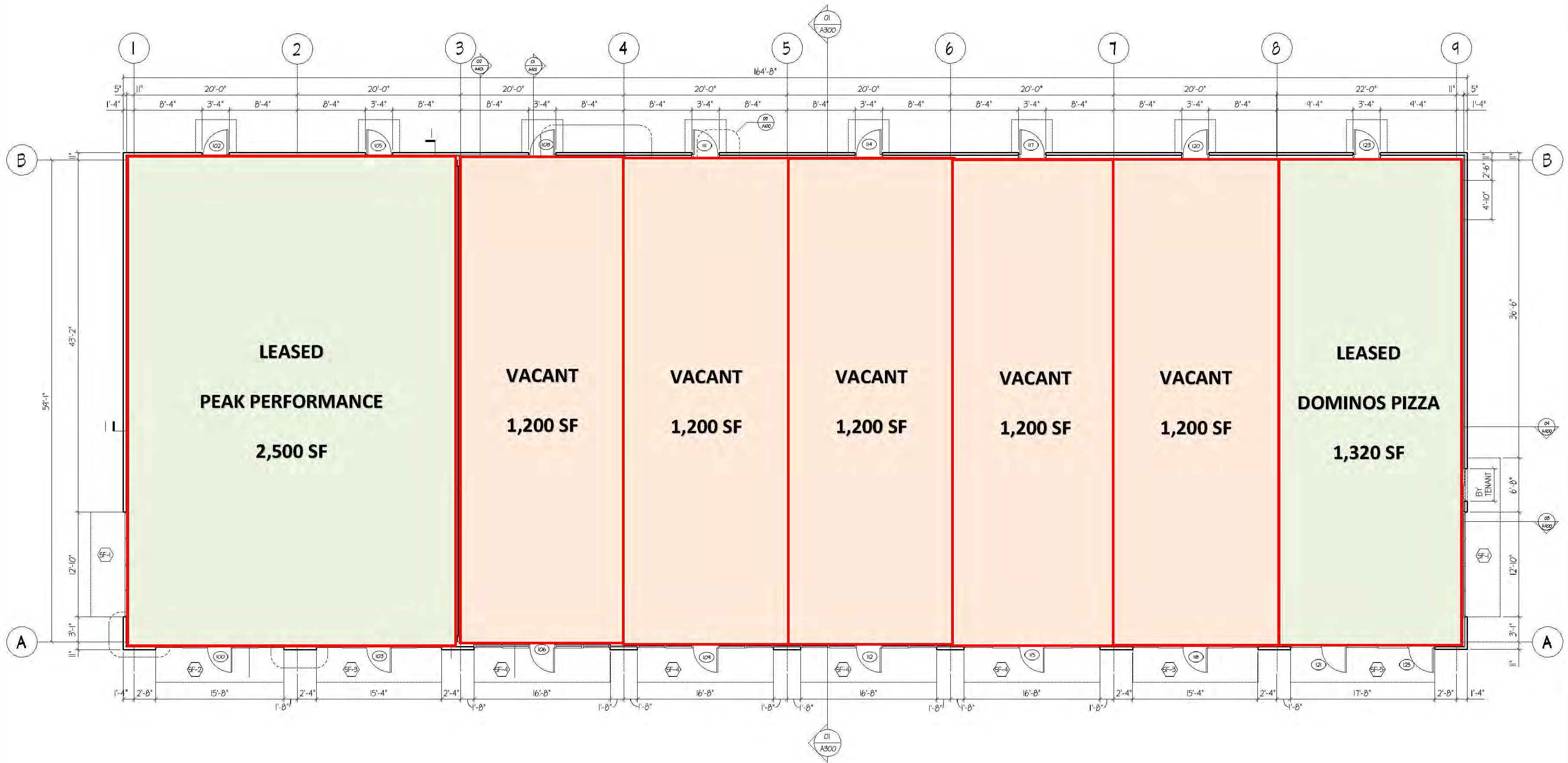


Michael L. Dyer, AIA
 11342 Colonial Country Lane
 Charlotte, NC 28277
 704.560.1347
 mdyers@gmail.com

Bailey & Associates

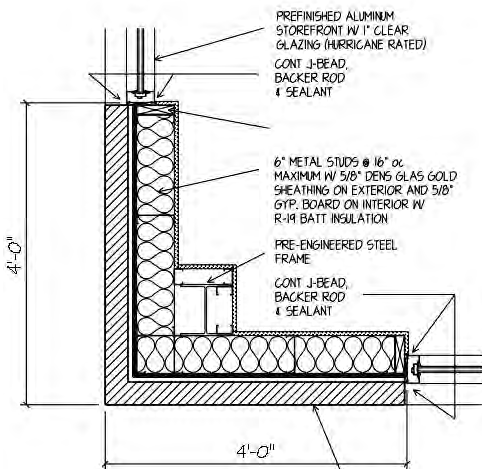
Rocky Run Retail

Jacksonville, NC



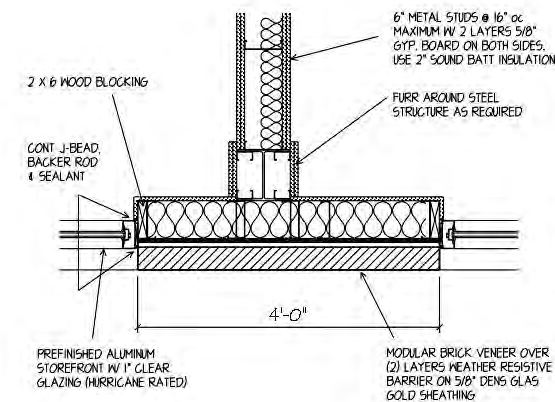
FLOOR PLAN

SCALE: 3/16" = 1'-0" 01



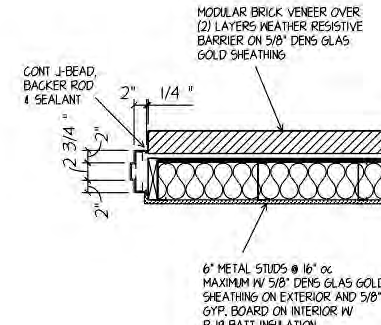
PLAN DETAIL

SCALE: 3/4" = 1'-0" 05



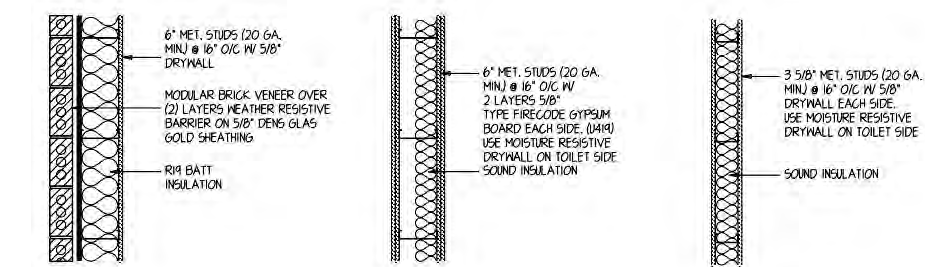
PLAN DETAIL

SCALE: 3/4" = 1'-0" 04



JAMB DETAIL

SCALE: 3/4" = 1'-0" 03



WALL TYPE 1

WALL TYPE 2

WALL TYPE 3

WALL TYPES

SCALE: 3/4" = 1'-0" 02

FLOOR PLAN

DATE: 4-22-22 JOB NO: 21017
 REVISIONS:
 NO. DATE DESCRIPTION:

SHEET NUMBER
A100
 of Total